

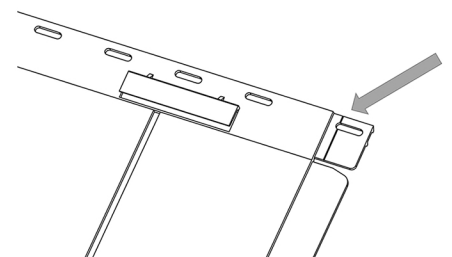
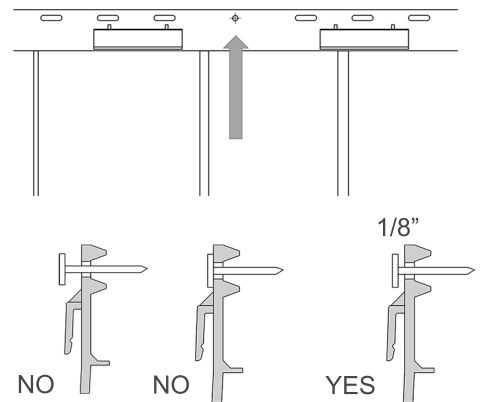
Installation and Maintenance Instructions

These instructions and illustrations are intended to provide how-to-tips that will simplify the installation process. FactoryDirectSiding.com shall not accept any liability or responsibility under its written warranty for failure caused by applications that do not meet proper installation requirements.

FactoryDirectSiding.com's shake siding is intended for installation on vertical surfaces only. Our product is not designed for roof applications.

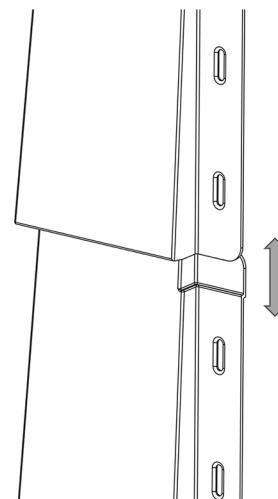
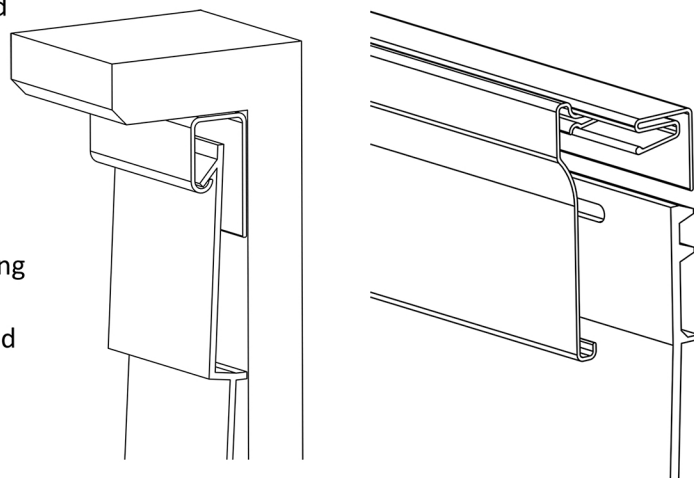
Basic Rules for Installing Factory Direct Siding:

1. Factory Direct Siding should be installed with exterior nails on a smooth, flat surface. Install on plywood, a wood composite solid sheathing (no less than 7/16" inch thickness) or with an insulated/leveling board if installing over traditional lap siding. Never install on an open stud wall. Stapling siding is not acceptable.
2. A weather-resistant barrier should be installed prior to siding installation.
3. All polymer sidings will expand and contract due to weather conditions. When installing in weather below 40 degrees, leave approximately 3/8" in receiving channels such as cornerposts and J-Channel and 1/4" when above 40 degrees.
4. To control the direction of normal expansion and contraction, siding must be nailed through the round hole located at the center nail hem on each piece of siding. If working with a partial panel where the center hole has been cut off, drill a new nail hole in the center nail hem of that panel and nail through it. All additional nails should be in the center of the slots, approximately every 10" – 16".
5. **DO NOT NAIL SIDING TIGHT** and **DO NOT FACE NAIL**. There should be approximately 1/8" of space between the nail head and siding panel to allow for normal expansion and contraction.
6. Factory Direct Siding, as with any polymer siding, expands and contracts with temperature change. For this reason, it is important that panels are spaced properly when interlocking each piece. Failure to allow proper spacing may result in gaps that are too large or too small, which could lead to side locking tabs disengaging or the panel buckling. Correct spacing can be achieved by aligning each new section with the spacing indicator located on the top right nail hem.



Installation:

- If installing shake siding on the entire wall, start by striking a level line around the house and installing a starter strip designed for shake siding. If your application dictates, siding can also be installed using a J-channel to start the first course.
- Install corner posts and J-channel with an approximated $\frac{3}{4}$ " receiving pocket, around doors/windows.
- It is recommended to work left to right.
- For the best appearance, cut approximately 2" off the first piece for the first row and then use random size starter pieces at the beginning of each course.
- Make sure that each additional panel is correctly interlocked with the previous panels, line up overlap with small scribed line provided at the top right hand side of the nail hem.
- Install the first nail in the small circular hole located in the very center of the nail hem. Use at least 5 nails per full length panel. DO NOT NAIL TIGHT.
- When installing under a window or opening, install undersill trim that is intended for shake siding. Cut the panel to fit under the window. Using a snap lock punch tool, crimp the trimmed edge every 6" and snap panel into the undersill trim piece.
- To finish the top course of siding, you can use J Channel, undersill trim or cornice. If using a cornice, attach a cornice receiver to the top of wall under the overhang. Using a snap lock punch tool, crimp the trimmed edge every 16" and snap panel into the cornice receiver piece. Snap the cornice molding in the receiver to complete the installation. If fitting into an undersill trim, using a snap lock punch tool, crimp the trimmed edge every 16" and snap panel into the undersill trim piece.
- When using a molded cedar corners, align first corner with the first row of siding. Add additional corners until you reach your desired height. Each corner piece should be properly interlock with the piece beneath. Each corner piece should be nailed first in the center hole of nail hem to allow for proper expansion and contraction. 2 additional nails on each side of corners are required
- Align additional rows of siding so that they line up with each individual corner post. Leave proper spacing for normal expansion and contraction.





Care and Maintenance:

Factory Direct Siding requires little to no maintenance but like all products that are exposed to atmospheric conditions may require cleaning from time to time (yearly is recommended). Dirt, grime and chalk can be removed with your garden hose and a bucket of soapy water. Using a power washer is not recommended and could void warranty. For stubborn stains such as mold or mildew that may appear as black, gray or green spots on the surface of the siding and usually where siding is not subject to rainfall we recommend the following solution:

Mix together: 1/3 cup of detergent (Tide...etc.)
2/3 cup of Trisodium (Soilax...etc.)
4 quarts of water

If this solution does not remove the mold or mildew, request a mold and mildew type cleaner from your contractor.

Apply cleaning solution and allow it to stand for several minutes so that the dirt will loosen. The siding must be thoroughly rinsed with clean water to avoid staining and or streaking.

Caution: Please follow all precautions and warnings listed on the product labels of the above referenced chemicals to prevent personal injury. Damage to the products surface may occur if recommended concentrations are exceeded. Avoid contact with skin and eyes while using cleaning compounds and solutions. Abrasive-type cleaners and strong solvents may damage the product and it finish. Always test cleaners on a small inconspicuous area before applying to any major area.

Fire Safety Information:

Factory Direct Siding is made from organic materials and is not designed to withstand extremely high application temperatures. Like other organic products such as wood, our product may be damaged when exposed to a significant sources of flame or heat. Cautions must be applied when using outdoor grills, heating guns, blow torches, electrical equipment and other heat sources in close proximity to your siding. Building owners, occupants and maintenance personnel should always take precautions to keep combustible materials and trash away from siding products.